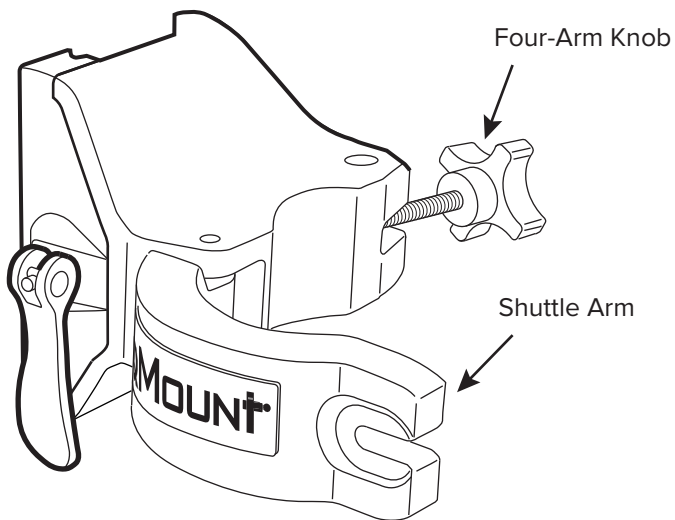


QMount™

Installation Guide for Theragun PRO Series Massage Gun

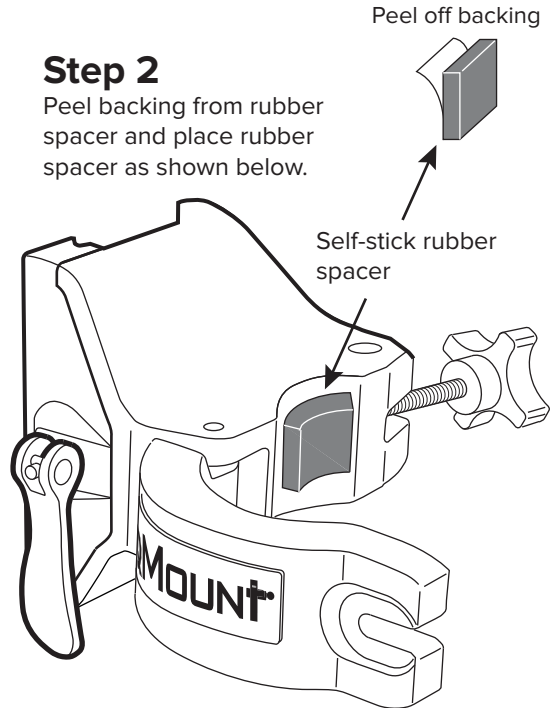
Step 1

Place Shuttle Arm in open position.



Step 2

Peel backing from rubber spacer and place rubber spacer as shown below.



Step 3

Place Theragun Pro in Shuttle and lock in place using the **Four-Arm Knob**.

